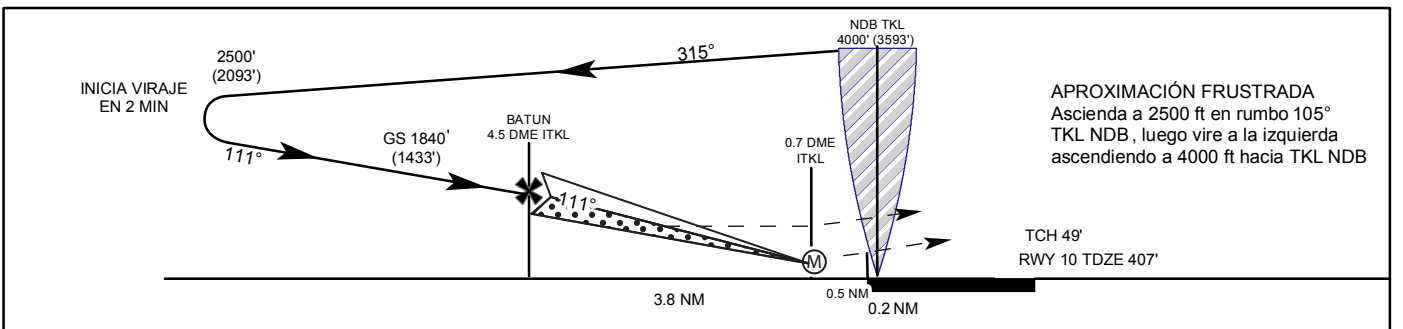
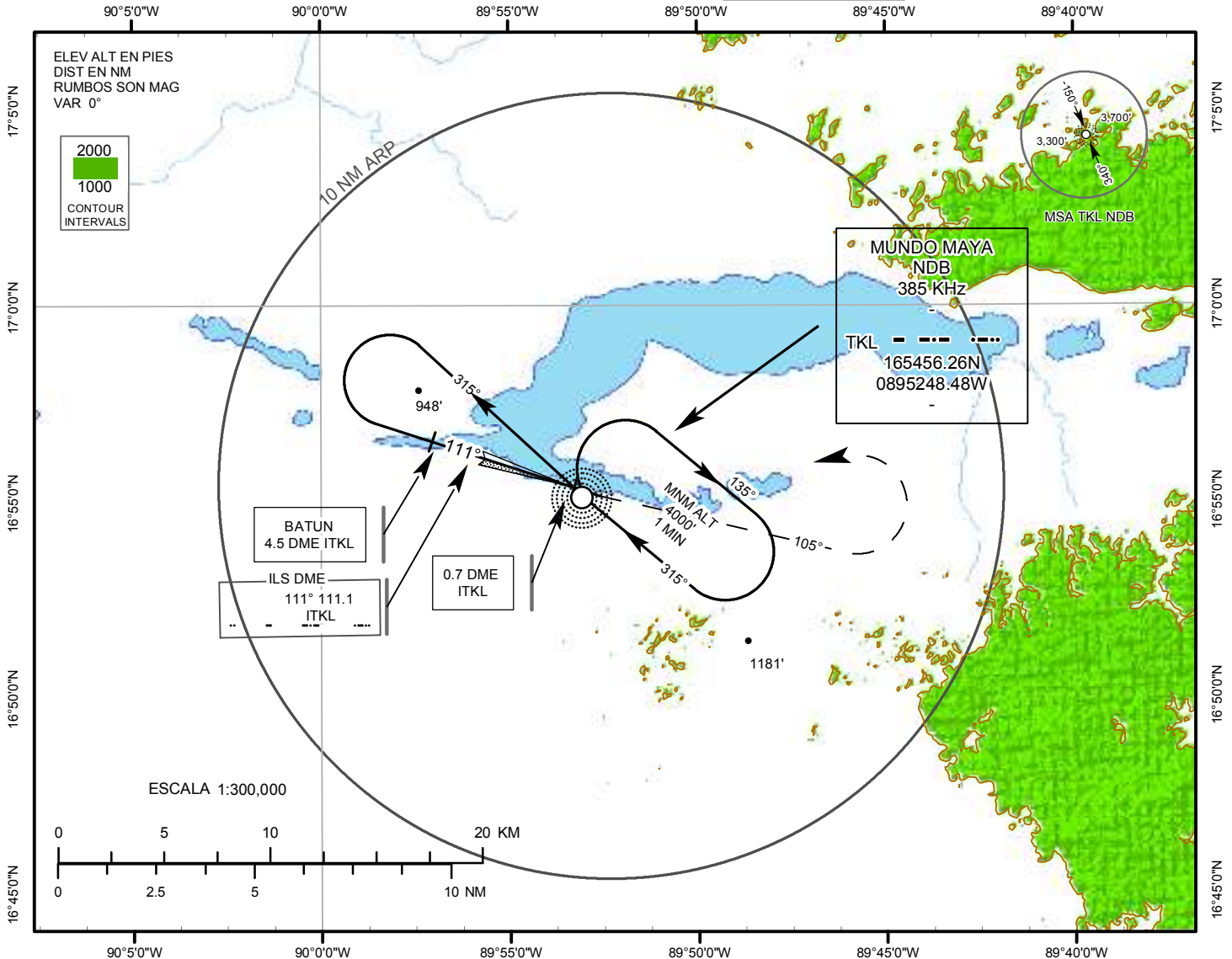


**CARTA DE APROXIMACIÓN
POR INSTRUMENTOS**

ELEV AERÓDROMO 130m (427 Ft.)
ALTURAS RELACIONADAS AL
THR RWY 10 ELEV 407 Ft.

TIKAL APP 121.4 MHz
TWR 118.3 MHz
GND 121.9 MHz
ATIS 127.850 MHz
CLNC DEL 120.7 MHz
EMERGENCY 121.5 MHz

**SANTA ELENA PETEN/
MUNDO MAYA INTL
ILS V RWY 10**



| Régimen de Descenso | GS (VELOCIDAD) | 70 | 90 | 100 | 120 | 140 | 160 | Circulando para aterrizar No autorizado al Sur de la pista | |
|---------------------|------------------------|---------|----------------------------------|-----|---------|---------------|----------------|---|--|
| | Ft/min GS 3.0° | 377 | 484 | 538 | 646 | 753 | 861 | | |
| ITKL-MAPT MM | Min | NA | NA | NA | NA | NA | NA | | |
| Aprox. directa | ILS DA (H) 607' (200') | | LOC (GS OUT) MDA (H) 840' (433') | | | | MAX Kts | CIRCULANDO | |
| CAT | FULL | ALS OUT | | | ALS OUT | MDA (H) | | Techo - Visibilidad | |
| A | 250' - 1200 m | | 500' - 1600 m | | 90 | 1300' (873') | | 900' - 1600 m | |
| B | | | | | 120 | 1400' (973') | | 1000' - 2000 m | |
| C | | | | | 140 | 1600' (1173') | | 1200' - 4800 m | |
| D | | | | | 165 | 1700' (1273') | 1300' - 4800 m | | |